

48SAX000 - SIRENA ATEX

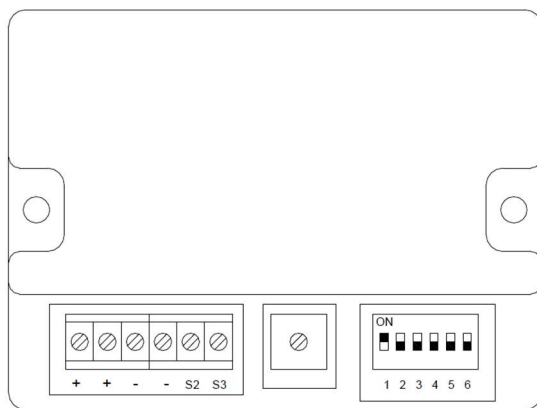


DESCRIZIONE:

La sirena 48SAX000 è progettata per l'installazione in ambienti con atmosfera ad alto rischio d'esplosione, indipendentemente dal loro grado di pericolosità (Zona 0, Zona 1 o Zona 2). Adatta a tutte le applicazioni di segnalazione a sicurezza intrinseca, deve essere associata alla nostra barriera Zener 48BAZ001. E' un avvisatore acustico ad alta emissione sonora, con 49 toni differenti, selezionabili tramite deep-switch sul retro della sirena.

CARATTERISTICHE TECNICHE:

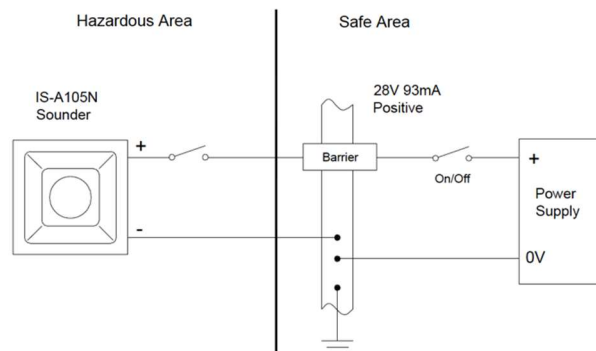
Tensione d'alimentazione	16-28Vdc con barriera Zener
Corrente	25mA a 24Vdc con Barriera Zener 28V 100 Ω
Livello sonoro altri toni	105dB(A) a 1m \pm 3dB / Tone2 96dB(A) a 3m
Controllo volume	Max. 105 dB(A); Min. 96dB(A) -Tono 2
N° Toni differenti	49
N° stadi d'allarme	3
Range di copertura	60m a 1KHz
Peso con base (g)	750
Dimensioni	130 x 130 x 133,5 mm
Indice di protezione degli ingressi	IP66
Materiale	ABS
Colore	Rosso
Temperatura di funzionamento	Da -40 a +60°C
Umidità ammessa	90% a 20°C
Sezione max. per terminali (mm ²)	2,5
Certificazione	CE 0359 II 1 G Eex ia IIC T4/BAS 00 ATEX 1181



Input Terminals

Volume Control

Tone Setting Switches 1-6



Tone Number	Tone Description	Switch Settings	Second Stage Alarm	Third Stage alarm
		1 2 3 4 5 6		
Tone 1	Continuous 340Hz	0 0 0 0 0	Tone 2	Tone 5
Tone 2	Alternating 800/1000Hz @ 0.25s intervals	1 0 0 0 0	Tone 17	Tone 5
Tone 3	Slow whoop 500/1200Hz @ 0.3Hz with 0.5s gap repeated	0 1 0 0 0	Tone 2	Tone 5
Tone 4	Sweeping 500/1000Hz @ 1Hz	1 1 0 0 0	Tone 6	Tone 5
Tone 5	Continuous 2400Hz	0 0 1 0 0	Tone 3	Tone 20
Tone 6	Sweeping 2400/2900Hz @ 7Hz	1 0 1 0 0	Tone 7	Tone 5
Tone 7	Sweeping 2400/2900Hz @ 1Hz	0 1 1 0 0	Tone 10	Tone 5
Tone 8	Siren 500/1200/500Hz @ 0.3Hz	1 1 1 0 0	Tone 2	Tone 5
Tone 9	Sawtooth 1200/500Hz @ 1Hz - D.I.N.	0 0 0 1 0	Tone 15	Tone 2
Tone 10	Alternating 2400/2900Hz @ 2Hz	1 0 0 1 0	Tone 7	Tone 5
Tone 11	Intermittent 1000Hz @ 1Hz	0 1 0 1 0	Tone 2	Tone 5
Tone 12	Alternating 800/1000Hz @ 0.875Hz	1 1 0 1 0	Tone 4	Tone 5
Tone 13	Intermittent 2400Hz @ 1Hz	0 0 1 1 0	Tone 15	Tone 5
Tone 14	Intermittent 800Hz 0.25s ON, 1s OFF	1 0 1 1 0	Tone 4	Tone 5
Tone 15	Continuous 800Hz	0 1 1 1 0	Tone 2	Tone 5
Tone 16	Intermittent 660Hz 150Ns ON, 150ms OFF	1 1 1 1 0	Tone 18	Tone 5
Tone 17	Alternating 544Hz (100ms) / 440Hz (400ms) – NFS 32-001	0 0 0 0 1	Tone 2	Tone 27
Tone 18	Intermittent 660Hz 1.8s ON, 1.8s OFF	1 0 0 0 1	Tone 2	Tone 5
Tone 19	Sweep 1400Hz to 1600Hz up 1s 1600Hz to 1400Hz down 0.5s	0 1 0 0 1	Tone 2	Tone 5
Tone 20	Continuous 660Hz	1 1 0 0 1	Tone 2	Tone 5
Tone 21	Alternating 554/440Hz @ 1Hz	0 0 1 0 1	Tone 2	Tone 5
Tone 22	Intermittent 544Hz @ 0.875Hz	1 0 1 0 1	Tone 2	Tone 5
Tone 23	Intermittent 800Hz @ 2Hz	0 1 1 0 1	Tone 6	Tone 5
Tone 24	Sweeping 800/1000Hz @ 50Hz	1 1 1 0 1	Tone 29	Tone 5
Tone 25	Sweeping 2400/2900Hz @ 50Hz	0 0 0 1 1	Tone 29	Tone 5
Tone 26	Simulated bell	1 0 0 1 1	Tone 2	Tone 15
Tone 27	Continuous 554Hz	0 1 0 1 1	Tone 26	Tone 5
Tone 28	Continuous 440Hz	1 1 0 1 1	Tone 2	Tone 5
Tone 29	Sweeping 800/1000Hz @ 7Hz	0 0 1 1 1	Tone 7	Tone 5
Tone 30	Continuous 300Hz	1 0 1 1 1	Tone 2	Tone 5
Tone 31	Sweeping 660/1200 @ 1Hz	0 1 1 1 1	Tone 26	Tone 5
Tone 32	Two Tone Chime	1 1 1 1 1	Tone 26	Tone 15
Tone 33	Intermittent 745Hz	0 0 0 0 1	Tone 2	Tone 5
Tone 34	Alternating 1000/2000Hz @ 0.5s – Singapore	1 0 0 0 1	Tone 38	Tone 45
Tone 35	420Hz @ 0.625s - Australian Alert	0 1 0 0 1	Tone 36	Tone 5
Tone 36	500-1200Hz 3.75s / 0.25s - Australian Evacuate	1 1 0 0 1	Tone 35	Tone 5
Tone 37	Continuous 1000Hz	0 0 1 0 1	Tone 9	Tone 45
Tone 38	Continuous 2000Hz	1 0 1 0 1	Tone 34	Tone 45
Tone 39	Intermittent 800Hz 0.25s ON 1s OFF	0 1 1 0 1	Tone 23	Tone 17
Tone 40	Alternating 544Hz (100ms) / 440Hz (400ms) – NFS 32-001	1 1 1 0 1	Tone 31	Tone 27
Tone 41	Motor Siren – Slow rise to 1200Hz	0 0 0 1 1	Tone 2	Tone 5
Tone 42	Motor Siren – Slow rise to 800Hz	1 0 0 1 1	Tone 2	Tone 5
Tone 43	Continuous 1200Hz	0 1 0 1 1	Tone 2	Tone 5
Tone 44	Motor Siren – Slow rise to 2400Hz	1 1 0 1 1	Tone 2	Tone 5
Tone 45	Intermittent 1000Hz 1s ON, 1s OFF	0 0 1 1 1	Tone 38	Tone 34
Tone 46	Sawtooth 1200/500Hz @ 1Hz - D.I.N. (PFEER P.T.A.P)	1 0 1 1 1	Tone 47	Tone 37
Tone 47	Intermittent 1000Hz 1s ON, 1s OFF – PFEER General Alarm	0 1 1 1 1	Tone 46	Tone 37
Tone 48	420Hz @ 0.625s - Australian Alert	1 1 1 1 1	Tone 49	Tone 5
Tone 49	500-1200Hz 3.75s / 0.25s - Australian Evacuate	0 0 0 0 1	Tone 26	Tone 37